

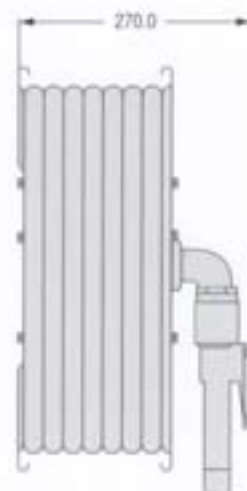
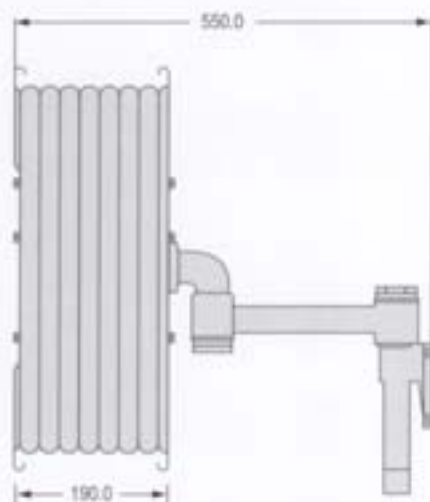
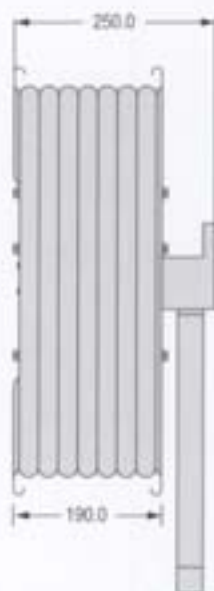
BRITISH STANDARDS INSTITUTION APPROVED FIRE HOSE REELS



SRI hose reels are manufactured and approved to British Standard (European standard) BS EN 671-1 and Australian Standard AS 1221. Compliance to the stringent test required by the above standards guarantees excellent durability and performance. Hose reel side plates are protected with a polyester powder coating that complies to salt spray test requirement which is specified in ISO 9227 for 240 hours. SRI hose reels have been designed to provide a flowrate of 27LPM for 3/4" and 35LPM for 1" at 0.2Mpa.

SRI provides complete range of hose reels which include manual, automatic, swing and fixed type in 1" or 3/4" diameter. Automatic hose reels are available with an internal valve built into the hose reel unit. The internal valve will open upon the rotation of the hose reel as the hose is pulled out. The valve will open after three revolutions of the hose reel and will close when the hose is wound back to the reel.

SRI hose reels are available with a quick installation mounting bracket which allows installation to be completed by one person in 10 minutes. All hose reel installation and maintenance is in accordance with BS 5306 Part 1. SRI hose reels are approved and distributed in the following countries: UAE, Kuwait, Singapore, Germany, UK, Qatar, Thailand, Hong Kong, Australia, New Zealand, Egypt and Chile.



Maximum Working Pressure : 15 Bar (217Psi)
Test Pressure : 20 Bar (290Psi)

Type	Model No.
19mm Fixed Manual Hose Reel	HRS032-SS-022-RD
19mm Fixed Automatic Hose Reel	HRS028-SS-022-RD
19mm Swinging Manual Hose Reel	HRS034-SS-022-RD
19mm Swinging Automatic Hose Reel	HRS030-SS-022-RD
25mm Fixed Manual Hose Reel	HRS031-SS-022-RD
25mm Fixed Automatic Hose Reel	HRS027-SS-022-RD
25mm Swinging Manual Hose Reel	HRS033-SS-022-RD
25mm Swinging Automatic Hose Reel	HRS029-SS-022-RD

All models are approved with SRI hose and nozzles



CERTIFIED TO BS EN 671-1
LICENCE NO. KM 51857

AUSTRALIAN STANDARD FIXED AND SWING TYPE FIRE HOSE REEL



Test Pressure 2000KPa
Working pressure 1500KPa
Nominal hose diameter 19mm
Minimum Discharge rate of 0.45L/S 220KPa
Installation and commissioning in accordance to AS2441.
Stainless steel hosereel available

Approved by Quality Assurance Service (AUSTRALIA)

Code No.	Description	Carton Size
HRS015-GI-019-RD	3/4" x 36 m Fixed Hosereel	330 x 500 x 610mm
HRS017-GI-019-RD	3/4" x 36 m Swing Hosereel	360 x 510 x 620mm



CONTINUOUS FLOW HOSE REEL

The SRI continuous flow hose reel is a one man operation which allows immediate and continuous flow of water at all times during deployment of hose. The unit is complete with heavy duty hose, quick opening ball valve, rewinding handle and nozzle. It is available in sizes of 3/4", 1" and 1-1/2".

Code No.	Description
HRS019-LA-020-SV	3/4" - Hose reel
HRS019-LA-025-SV	1" - Hose reel
HRS019-LA-038-SV	1-1/2" Hose reel
HRS015-LA-020-SV	3/4" Hose reel on trolley
HRS015-LA-025-SV	1" Hose reel on trolley
HRS015-LA-038-SV	1-1/2" Hose reel on trolley
Material	Aluminium Alloy
Finishing	Natural

Application: Industrial plant & washdown stations.
Note: Standard length of hose is 30m





HOSE GUIDE

Hose guide is used to ease the withdrawal of hose from fixed hose reels.

Code No.	Description	Material
HRS012-PS-STD-RD	Wall mounting	Red Plastic
HRS012-MS-STD-ZP	Wall mounting	Steel / Nylon Roller
HRS012-LA-STD-NA	Mounting at inlet pipe	Steel / Nylon Roller



HOSE REEL WALL BRACKET

The wall bracket allows the hose reel swing or fixed to be easily installed within a short time. The wall bracket is first fixed on to the wall or mounting structure and then the hose reel is slotted into the bracket. The wall bracket also allows minor adjustments of the hose reel height thereby easing the connection of the inlet pipe. The wall bracket allows the hose reel to be installed by one person within a few minutes.

Code No.	Description	Material
HRP-017-MS	Swing hose reel	Mild Steel
HRP-060-MS	Fixed hose reel	Mild Steel

NOZZLE

SRI hose reel nozzles are designed, tested and approved to meet European Standard EN671-1 and Australian Standard AS 1221.

Nylon and ABS material complies to ageing test in accordance to ISO4892-2.2.

Throw range position at 0.6M 30± inclination, in accordance to EN671-1 Clause 10.4

Flowrate meets the equivalent nozzle diameter of 6mm in accordance to EN671-1.

Code No.	Setting	Material	Finishing	Inlet Size	Flowrate @ 30Psi (2.8 Bar)	Throwrange @ 30Psi
HRS065-GM-020-RD	Jet / Spray	Nylon/Brass	Red	3/4" (19 mm)	27LMPN (ET)	11.5M
HRS065-GM-025-RD	Jet / Spray	Nylon/Brass	Red	1" (25 mm)	35LMPN (ET)	11.5M
HRS057-PS-020-RD	Jet / Spray	Nylon	Red	3/4" (19 mm)	27LMPN (ET)	11.0M
HRS057-PS-025-RD	Jet / Spray	Nylon	Red	1" (25 mm)	35LMPN (ET)	11.0M
HRS032-PS-020-RD	Jet / Spray	ABS/Brass	Red	3/4" (19 mm)	27LMPN (ET)	11.0M
HRS032-PS-025-RD	Jet / Spray	ABS/Brass	Red	1" (25 mm)	35LMPN (ET)	11.0M
HRS032-PS-020-CH	Jet / Spray	ABS/Brass	Chrome	3/4" (19 mm)	27LMPN (ET)	11.0M
HRS032-PS-025-CH	Jet / Spray	ABS/Brass	Chrome	1" (25 mm)	35LMPN (ET)	11.0M
HRS039-GM-020-NA	Jet / Spray	Brass	Natural	3/4" (19 mm)	27LMPN (ET)	11.0M
HRS039-GM-025-NA	Jet / Spray	Brass	Natural	1" (25 mm)	35LMPN (ET)	11.0M
HRS039-GM-020-CH	Jet / Spray	Brass	Chrome	3/4" (19 mm)	27LMPN (ET)	11.0M
HRS039-GM-025-CH	Jet / Spray	Brass	Chrome	1" (25 mm)	32LMPN (ET)	11.0M
HRS050-GM-020-CH	Jet	Brass	Chrome	3/4" (19 mm)	27LMPN	11.0M
HRS050-GM-025-CH	Jet	Brass	Chrome	1" (25 mm)	32LMPN	11.0M



PRESSURE REDUCING VALVE

Pressure reducing valve is required for the hose reel system to reduce the pressure at the inlet of the hose reel to the nominal working pressure.

Code No.	Size	Working Pressure	Material
HRS063-GM-025-RD	25mm (1")	Max. inlet pressure up to 20 bar	Brass
HRS063-GM-050-RD	50mm (2")	Outlet pressure between 1 to 4 bar	Brass



STOP VALVE WITH NOZZLE LOCKING DEVICE

As required by British Standard, stop valves should be installed at the inlet of all hose reels and it should have a feature to ensure that the nozzle can only be released after opening the valve. SRI has provided an ingenious solution with a quick opening ball valve and nozzle locking device.

Code No.	Description	Material	Working Pressure
HRS100-GM-025-NA	25mm (1") ball valve with nozzle locking device	Brass	250 psi
HRS107-GM-025-NA	25mm (1") ball valve	Brass	250 psi

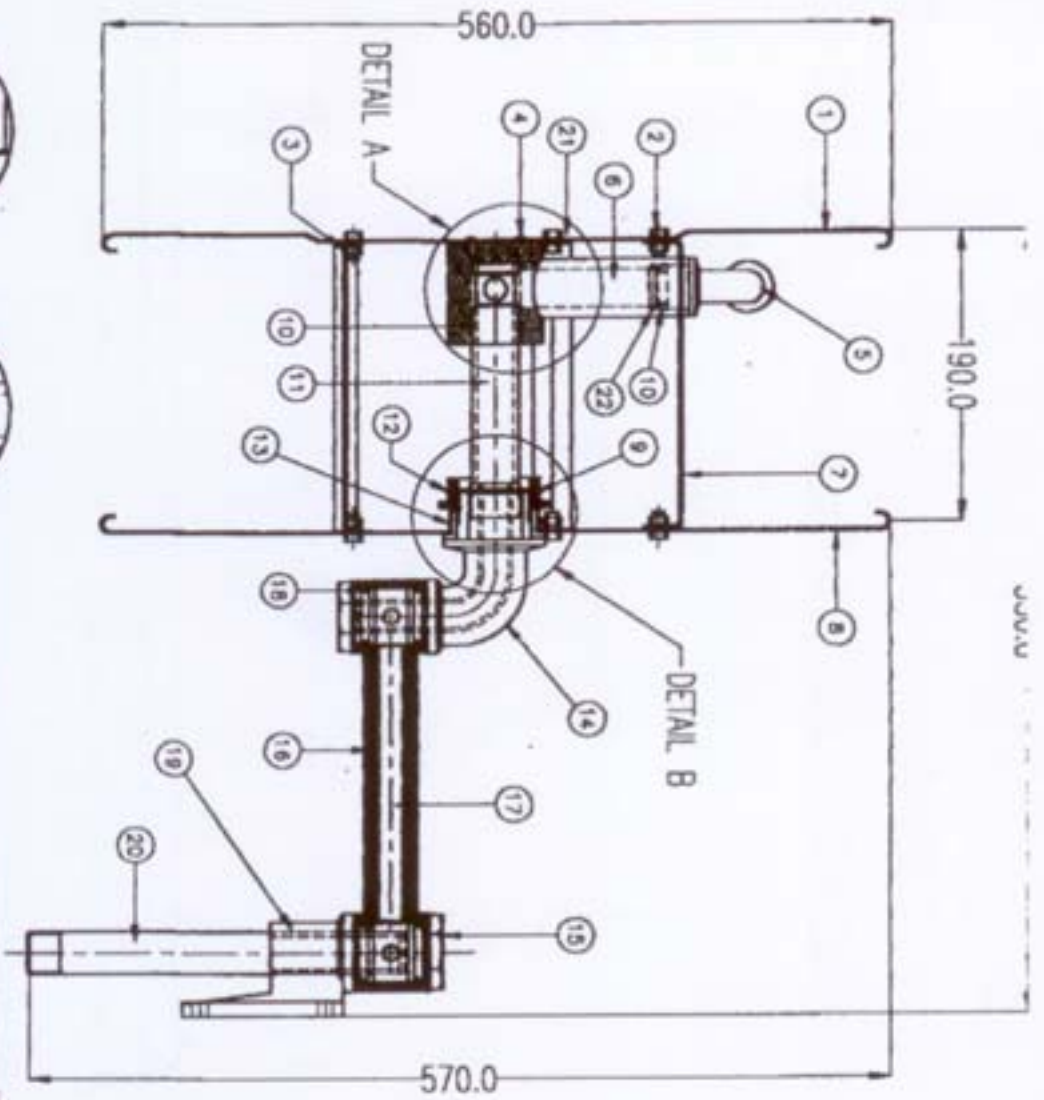


HRS012-PS-020-CH HRS032-PS-020-RD HRS017-PS-020-RD
HRS012-PS-025-CH HRS032-PS-025-RD HRS017-PS-025-RD



HRS050-GM-020-CH HRS039-GM-020-NA HRS065-GM-020-RD
HRS050-GM-025-CH HRS039-GM-025-NA HRS065-GM-025-RD

HOSE LENGTH - 29.5 M



* NOT SHOWN IN DRAWING

CONTROLLED DOCUMENT

UNLESS OTHERWISE STATED
DIMENSIONS IN MILLIMETERS

TOLERANCE

LINEAR : ±0.13

ANGULAR :

DETAIL B

DETAIL A

SRI

REV. NO.	Q1	REV. NO.	Q1	DATE	BY	CHKD	DATE	BY	CHKD

ITEM	PART NO.	DESCRIPTION	MATERIAL	QTY
1	HPR012-MS-550-80	22" BRUSH PLATE	C-ROLL STEEL	1
2	BRM048-MS	BOLT 5/16" X 5/8"	Q.WY. WILD STEEL	10
3	BRM048-MS	NUT 5/16" X 5/8"	Q.WY. WILD STEEL	10
4	BRM025-MS-008-0V	BLIND RIVET 3/16" X 1/2"	Q.WY. WILD STEEL	4
5	HPR006-PS-025-12	1" DIBROW BRUSH TYPE 2	NYLON 6	1
6	HPR024-PS	1" BRUSH	NYLON 6	1
7	HPR013-MS-175	SPACER 7" X 17MM	Q.WY. WILD STEEL	5
8	HPR011-MS-550-80	22" BRACKET PLATE	C-ROLL STEEL	1
9	BRM028-MS-2P	SET SCREW 1/4" X 3/8"	MILD STEEL	1
10	ORC011-89-8K	ORING 211	NITRILE 70	3
11	HPR021-SS-300	1/2" X 300MM ANGLE PIPE	STAINLESS STEEL	1
12	HPR015-PS-80	RED COLLAR	NYLON 6	1
13	HPR016-PS-80	RED BRUSH	NYLON 6	1
14	HPR007-SS-007	7" HOSE/STEEL ANGLE	ALUM. ALLOY ADC12	1
15	HPR010-PS-80	RED CAP	ABS PA 709	2
16	HPR008-SS-012	HORIZONTAL BAR	ALUM. ALLOY ADC12	1
17	HPR076-SS-012	1/2" HORIZONTAL PIPE X 199MM	STAINLESS STEEL	1
18	ORC025-89-8K	ORING 225	NITRILE 70	4
19	HPR005-SS-025	1" BRACKET	ALUM. ALLOY ADC12	1
20	HPR222-SS-025	1" INLET PIPE X 205MM	STAINLESS STEEL	1
21	HPR020-MS-001-NA	HOSE REEL LABEL	WILD STEEL	1
22	ORC018-89-8K	ORING 018	NITRILE 70	1
*	HPR023-MS	SELFLOCK PIN 5/32" X 1 1/2"	WILD STEEL	2
*	HPR011-MS-025-2P	1" HYDRAULIC CLIP	Q.WY. WILD STEEL	2
*	HPR017-PS-025	1" THREAD CAP	PLASTIC	1
*	CTM079-PP	CARTON BOX 360X270X80	COMPACTED PAPER	1

PRODUCT : SWING HOSE REEL

TITLE :

1" X 22" SWING HOSE REEL
7" U.K. ASSEMBLY

STEEL RECON IND. SDN. BHD.

FIRE HOSE REEL



SRI fire hose reels are tested and approved to European Standard EN671 by British Standards Institution and to Australian Standards AS1221 by QAS Australia. These approvals require the certification authority to carry out regular inspection of our hose reels manufacturing facility, testing of hose reels and auditing of quality system. With rigorous inspection and testing of our fire hose reels during production the

performance and reliability is at the highest standard. SRI manufactures a wide selection of fire hose reel, 3/4" and 1", swing and fixed type, manual and automatic. Swing type hose reel has double 180° rotating hinge, which allows hose reel to be mounted in a recessed wall and fixed type hose reel is complete with hose guide which allows the hose withdrawal in all directions.

Features

- Side Plate powder painted finish red
- Automatic hose reel has integrated automatic stop valve which will open after 2 revolution of the reel
- Threaded Inlet connection
- Outlet connection for hose can be rotated for left and right direction
- Waterways made from non ferrous metals which ensure corrosion free*
- Maximum working pressure 15Bar, test pressure 20bar
- Side plate available in stainless steel

Code No.	A	Hose Diameter x Length	B	Type
HRS038-MS-022-RD	22"(559mm)	25mm x 30m	350mm	Swing Manual
HRS038-MS-722-RD	22"(559mm)	25mm x 30m	290mm	Swing Manual
HRS038-MS-019-RD	19"(483mm)	25mm x 30m	350mm	Swing Manual
HRS037-MS-019-RD	19"(483mm)	19mm x 30m	350mm	Swing Manual
HRS037-MS-022-RD	22"(559mm)	19mm x 30m	350mm	Swing Manual
HRS036-MS-022-RD	22"(559mm)	25mm x 30m	310mm	Fixed Manual
HRS036-MS-722-RD	22"(559mm)	25mm x 30m	240mm	Fixed Manual
HRS036-MS-019-RD	19"(483mm)	25mm x 30m	310mm	Fixed Manual
HRS035-MS-019-RD	19"(483mm)	19mm x 30m	310mm	Fixed Manual
HRS035-MS-022-RD	22"(559mm)	19mm x 30m	310mm	Fixed Manual
HRS061-MS-722-RD	22"(559mm)	25mm x 30m	290mm	Swing Automatic
HRS060-MS-719-RD	19"(483mm)	19mm x 30m	290mm	Swing Automatic
HRS056-MS-722-RD	22"(559mm)	25mm x 30m	240mm	Fixed Automatic
HRS055-MS-719-RD	19"(483mm)	19mm x 30m	240mm	Fixed Automatic

SIRIM, PSB APPROVED BS EN671-1

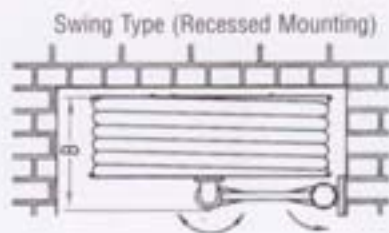
HRS038-SS-022-RD	22"(559mm)	25mm x 30m	350mm	Swing Manual
------------------	------------	------------	-------	--------------

BSI APPROVED BS EN671-1

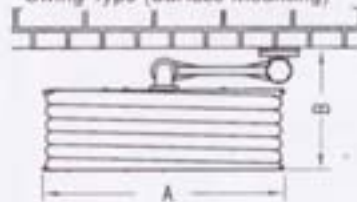
HRS033-SS-022-RD	22"(559mm)	25mm x 30m	290mm	Swing Manual
HRS034-SS-022-RD	22"(559mm)	19mm x 30m	290mm	Swing Manual
HRS031-SS-022-RD	22"(559mm)	25mm x 30m	240mm	Fixed Manual
HRS032-SS-022-RD	22"(559mm)	19mm x 30m	240mm	Fixed Manual
HRS029-SS-022-RD	22"(559mm)	25mm x 30m	290mm	Swing Automatic
HRS030-SS-022-RD	22"(559mm)	19mm x 30m	290mm	Swing Automatic
HRS027-SS-022-RD	22"(559mm)	25mm x 30m	240mm	Fixed Automatic
HRS028-SS-022-RD	22"(559mm)	19mm x 30m	240mm	Fixed Automatic

AS APPROVED TO AS1221

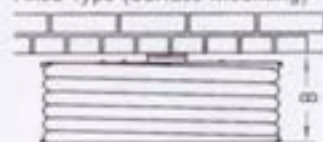
HRS035-GI-019-RD	19"(483mm)	19mm x 36m	310mm	Fixed Manual
HRS037-GI-019-RD	19"(483mm)	19mm x 36m	350mm	Swing Manual
HRS154-MS-600-RD	600mm	19mm x 36m	210mm	Fixed Manual

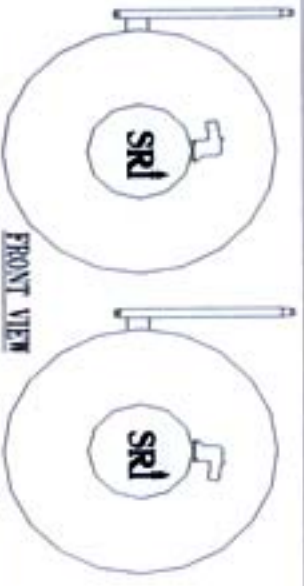
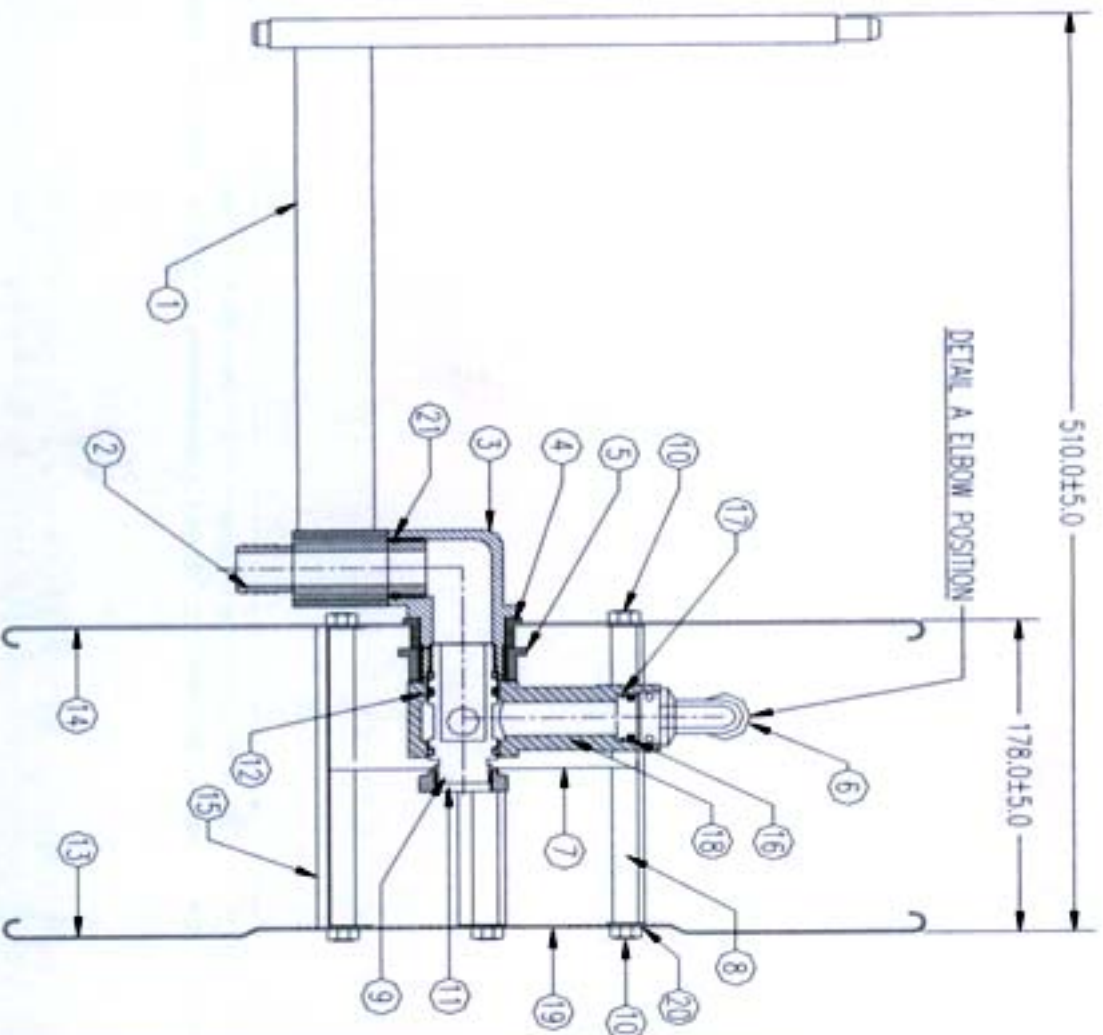


Swing Type (Surface Mounting)



Fixed Type (Surface Mounting)





ELBOW 'LEFT' POSITION
ELBOW 'RIGHT' POSITION

• NOT SHOWN IN DRAWING

•	H8P023-W5	SELLOCK PIN 5/32" X 1 1/2"	WILD STEEL	2
•	8NWR44-W5	SET SCREW 3/16" X 3/8"	WILD STEEL	2
21	08S121-R8-BK	ORNG 121	NITRILE 70	1
20	8NWR215-W5	WASHER FLAT W6	WILD STEEL	10
19	H8P428-W5-215-R0	LABEL OER	WILD STEEL	1
18	H8P132-P5	1" BUSH	NYLON 66	1
17	08S018-R8-BK	ORNG 018	NITRILE 70	1
16	08S210-R8-BK	ORNG 210	NITRILE 70	2
15	H8P013-W5-175	SPACER 7" X 175DMM	CAV. W/STEEL	5
14	H8P011-W5-550-R0	22" BRACKET PLATE	C-ROLL STEEL	1
13	H8P012-W5-550-R0	22" BUSH FLATE	C-ROLL STEEL	1
12	08S214-R8-BK	ORNG 214	NITRILE 70	3
11	H8P040-P5	NUT	NYLON 66	1
10	8NWR48-W5	BOLT 5/16" X 5/8"	WILD STEEL	10
9	H8P424-P5	BODY MAN	NYLON 66	1
8	H8P106-W5-2P	ROD 1/2" X 166.0MM TAP 5/16" X 20MM Dp	CAV. W/STEEL	5
7	H8P425-W5-R0	DSC SUPPORT DIA. 200.0MM X 3.0MM	WILD STEEL	1
6	H8P006-P5-025	1" ELBOW BUSH	NYLON 66	1
5	H8P015-P5	RED COLLAR	POLYETHYLENE	1
4	H8P016-P5	BLACK BUSH	PP COPOLYMER	1
3	H8P098-0W	1" ELBOW	CM	1
2	H8P422-0W	NUT	BRASS	1
1	H8P121-W5-R08-R0	ARM SWING ROD	WILD STEEL	1
ITEM	PART NO.	DESCRIPTION	MATERIAL	QTY

UNLESS OTHERWISE SPECIFIED
DIMENSIONS IN MILLIMETRES
TOLERANCE
FINISH : 425
ANGULAR :



DIN
APPRO 1
APPRO 2
DIN NO.
PART NO.

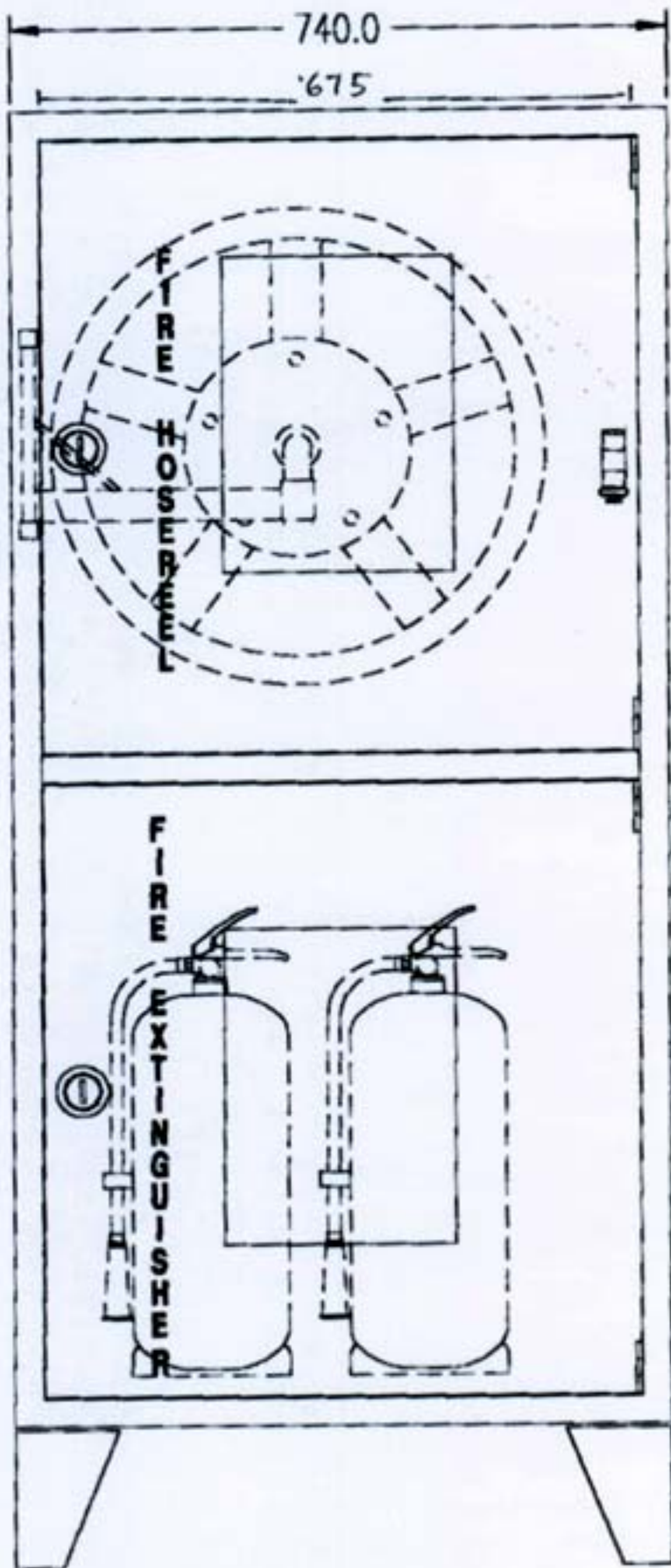
STEEL RECON IND. SDN. BHD.
GERMAN SWING HOSE REEL

REVISIONS
REV. NO. 01

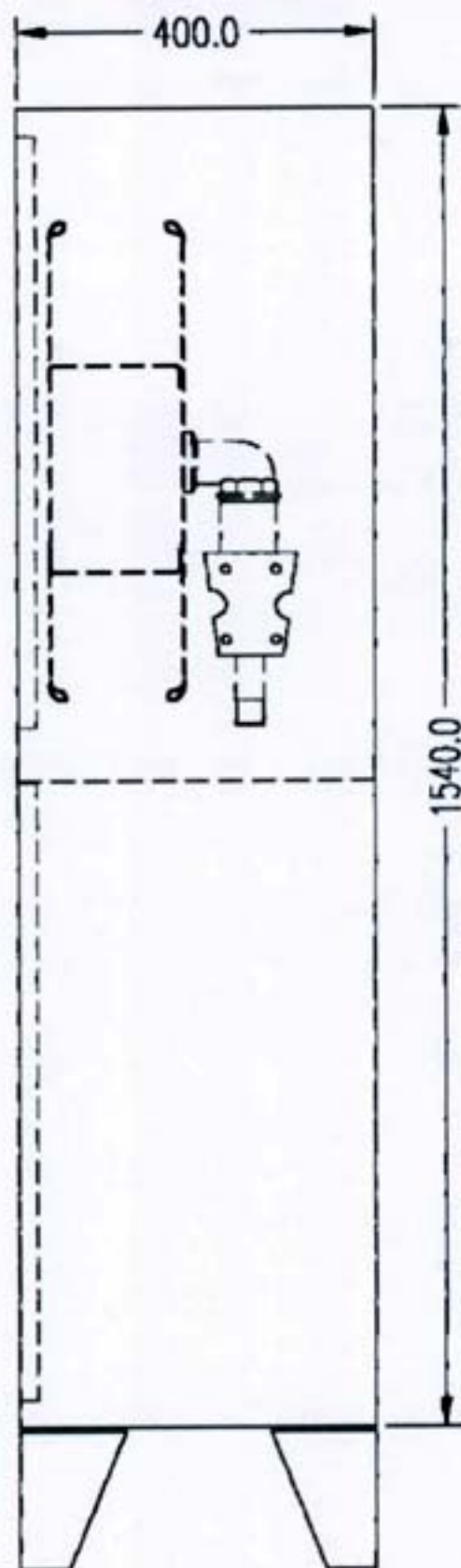
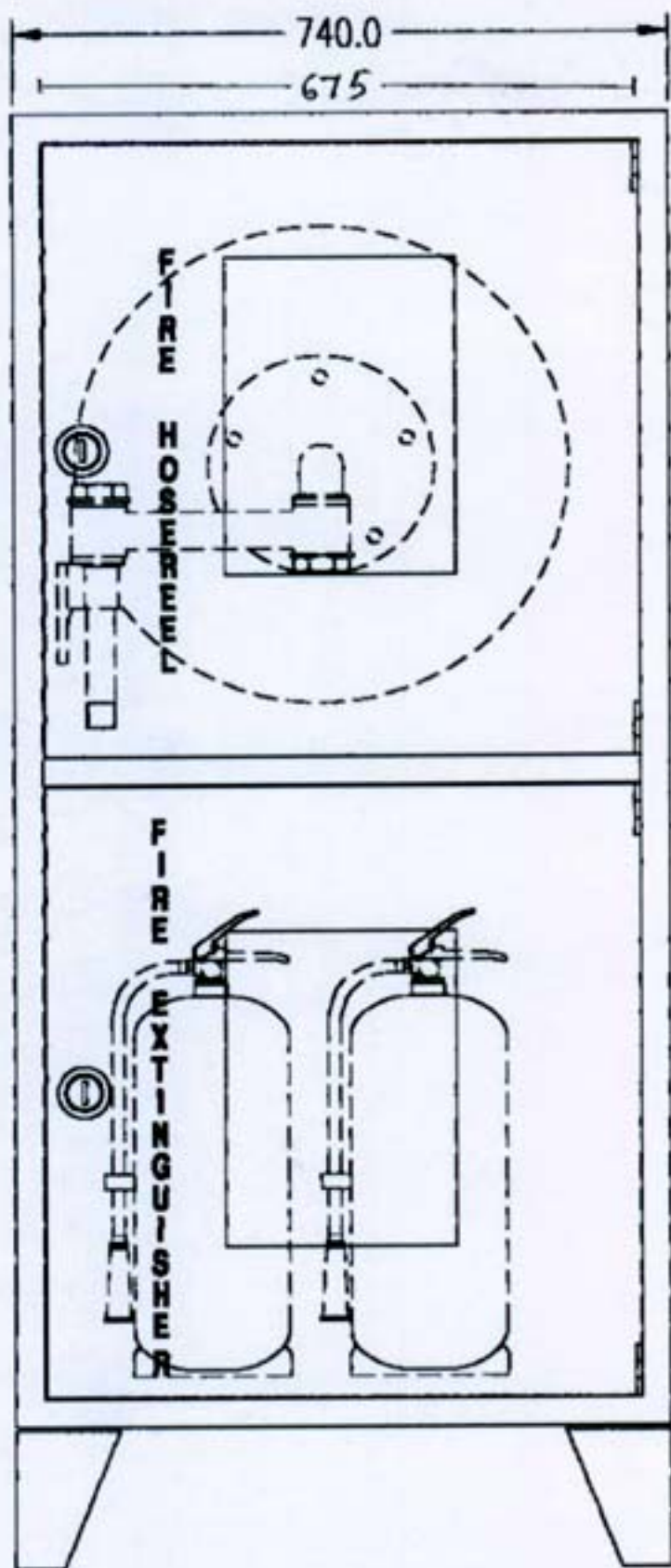
DATE : 25 AUGUST 2001
DIN NO.
PART NO. H8S012-W5-W02-R0

GERMAN SWING HOSE REEL
GERMAN HOSE REEL SWING (M)
ASSEMBLY





ANNEX II



EUROPEAN FIRE HOSE REEL



BRITISH STANDARDS INSTITUTION
APPROVAL FIRE HOSE REELS



CERTIFIED TO BS EN 671
LICENCE NO. KM 9187



European fire hose reel

The SRI Euro fire hose reels has been tested and approved to EN671 by British Standards Institution. This range for fire hose reel has a slimmer design which can fit into smaller depth. For swing hose reel the inlet of the hose reel is fitted with a flexible hose and coupling for connection to the control valve for water supply.

Features

- Side Plate powder painted finish red
- Outlet connection for hose can be rotated for left and right
- Connection to water supply with a flexible hose and coupling
- Waterways made from brass and nylon which ensure corrosion resistance
- Maximum working pressure 15bar, test pressure 20bar
- Outlet connection for hose can be rotated for left and right
- Side plate and swing arm available in stainless steel
- Available with high flow rate model, 10mm equivalent diameter, 102LPM @ 6bar inlet.
- 25mm x 30m Swing Hose reel can fit into cabinet of 220mm depth

Code No.	A	Hose Diameter x Length	B	Type
HRS072-MS-660-RD	660mm	25mm x 40m	230mm	Swing Manual
HRS072-MS-600-RD	600mm	25mm x 35m	230mm	Swing Manual
HRS072-MS-M22-RD	559mm	25mm x 30m	230mm	Swing Manual
HRS073-MS-600-RD	600mm	25mm x 30m	200mm	Swing Manual
HRS073-MS-M22-RD	559mm	25mm x 25m	200mm	Swing Manual
HRS079-MS-600-RD	600mm	25mm x 20m	160mm	Swing Manual
HRS076-MS-660-RD	660mm	25mm x 30m	190mm	Swing Manual
HRS150-MS-600-RD	600mm	25mm x 30m	210mm	Fixed Manual
HRS150-MS-022-RD	559mm	25mm x 25m	210mm	Fixed Manual
HRS151-MS-600-RD	600mm	25mm x 20m	170mm	Fixed Manual
HRS080-MS-600-RD	600mm	19mm x 40m	200mm	Swing Manual
HRS089-MS-600-RD	600mm	19mm x 30m	160mm	Swing Manual
HRS089-MS-022-RD	559mm	19mm x 25m	160mm	Swing Manual
HRS152-MS-600-RD	600mm	19mm x 30m	170mm	Fixed Manual
HRS074-MS-022-RD	559mm	19mm x 25m	170mm	Fixed Manual
HRS078-MS-022-RD	559mm	25mm x 30m	230mm	Swing Automatic
HRS077-MS-660-RD	660mm	25mm x 30m	190mm	Swing Automatic

